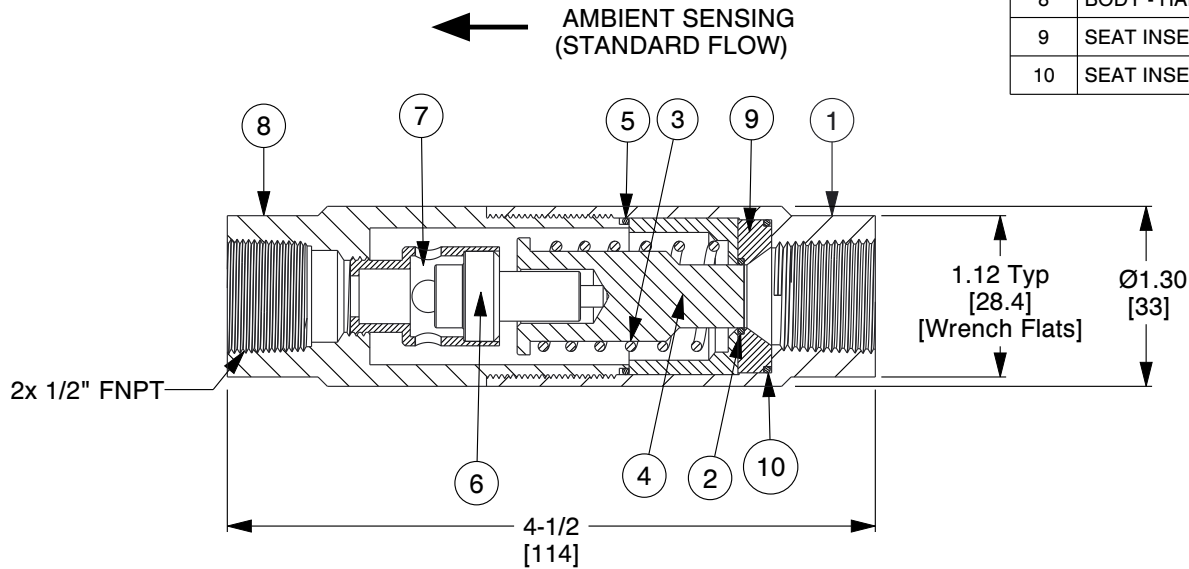




| ITEM | DESCRIPTION      | MATERIAL               |
|------|------------------|------------------------|
| 1    | BODY - HALF      | 300 Series SS          |
| 2    | SEAT SEAL        | FEP Encapsulated Viton |
| 3    | OPERATING SPRING | 300 Series SS          |
| 4    | RAM-TYPE PLUG    | 300 Series SS          |
| 5    | BODY SEAL        | EPDM                   |
| 6    | THERMAL ACTUATOR | 300 Series SS          |
| 7    | ACTUATOR CARRIER | 300 Series SS          |
| 8    | BODY - HALF      | 300 Series SS          |
| 9    | SEAT INSERT      | 300 Series SS          |
| 10   | SEAT INSERT SEAL | EPDM                   |



**NOTES:**

1. Cv: 0.8.
2. PORT SIZE: B.
3. WEIGHT: 0.9 Lb (0.4 Kg).
4. MAXIMUM OPERATING PRESSURE: 300 PSIG (20.7 BAR).
5. MAXIMUM TEMPERATURE: 300°F (149°C).
6. FULL OPEN/CLOSE TEMPERATURES: 35°F (1.7°C)/40°F (4.4°C).
7. 316 SS ALSO AVAILABLE.
8. A #20 MESH STRAINER IS RECOMMENDED.

|           |                         |
|-----------|-------------------------|
| COMPONENT | FREEZE PROTECTION VALVE |
|-----------|-------------------------|

  
 ThermOmegaTech, Inc.  
 353 Ivyland Road  
 Warminster, PA 18974-2205, USA  
 Ph: 215-798-5978

This file and any associated information and specifications are provided for reference and evaluation purposes only, and is subject to change without notice. ThermOmegaTech makes no representations, warranties or guarantees as to the appropriateness, accuracy, completeness, or suitability for any purpose, of the file, information or specifications. You are solely responsible for the use of the file, information or specifications.

This drawing is the property of ThermOmegaTech. It contains confidential, proprietary information that is ThermOmegaTech property. Do not disclose to or duplicate for others except as authorized by ThermOmegaTech.

SCALE      NTS

114-212100-035

1/2" HAT/FP-35-B-SS-E (Ambient Sensing)

|       |           |
|-------|-----------|
| UNIT  | INCH [MM] |
| SHEET | 1 of 1    |