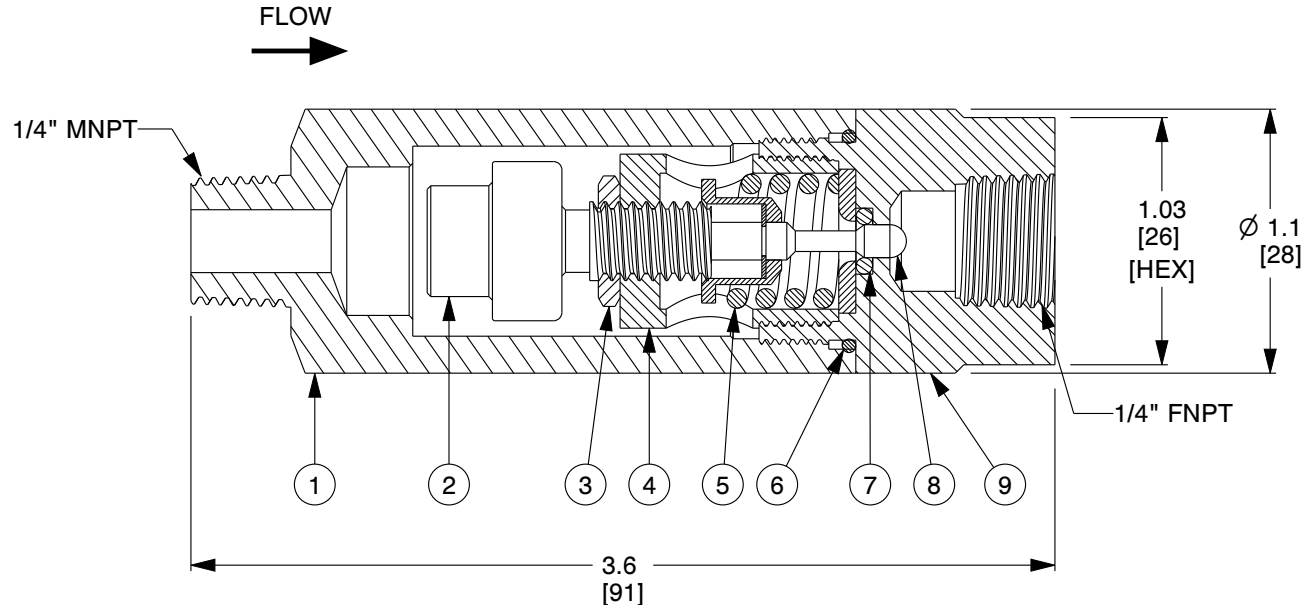


ITEM	DESCRIPTION	MATERIAL
1	VALVE BODY	300 Series SS
2	THERMAL ACTUATOR	300 Series SS
3	LOCKNUT	300 Series SS
4	RETAINER	300 Series SS
5	OPERATING SPRING	300 Series SS
6	SEALING O-RING	Buna-N
7	SEAT SEAL	Buna-N
8	RAM-TYPE PLUG	300 Series SS
9	SEAT HOUSING	300 Series SS



NOTES:

1. Cv: 0.5.
2. WEIGHT: 0.7Lbs (0.3Kg).
3. MAXIMUM OPERATING PRESSURE: 400 PSIG (27.6 BAR).
4. MAXIMUM TEMPERATURE: 250°F (121°C).
5. FULL OPEN TEMPERATURES "XXX" AVAILABLE: 040°F, 045°F, 050°F, 060°F, 070°F, 075°F, 085°F, 095°F, 100°F, 105°F, 110°F, 115°F, 120°F, 125°F, 130°F, 140°F, 150°F, 160°F, 170°F, 175°F, 180°F, 190°F, 200°F and 210°F.
6. CLOSING TEMPERATURE IS TYPICALLY 10°F BELOW OPENING TEMPERATURE.

COMPONENT	MECHANICAL SEAL SUPPORT SYSTEMS
-----------	---------------------------------

ThermOmegaTech
 ThermOmegaTech, Inc.
 353 Ivyland Road
 Warminster, PA 18974-2205, USA
 Ph: 215-798-5978

This file and any associated information and specifications are provided for reference and evaluation purposes only, and is subject to change without notice. ThermOmegaTech makes no representations, warranties or guarantees as to the appropriateness, accuracy, completeness, or suitability for any purpose, of the file, information or specifications. You are solely responsible for the use of the file, information or specifications.

This drawing is the property of ThermOmegaTech. It contains confidential, proprietary information that is ThermOmegaTech property. Do not disclose to or duplicate for others except as authorized by ThermOmegaTech.

SCALE	NTS
-------	-----

241-100000-XXX
 1/4" EcoFlow SS

UNIT	INCH [MM]
SHEET	1 of 1