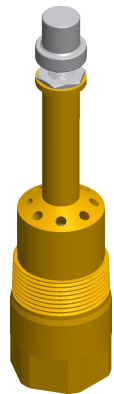


4

3

2

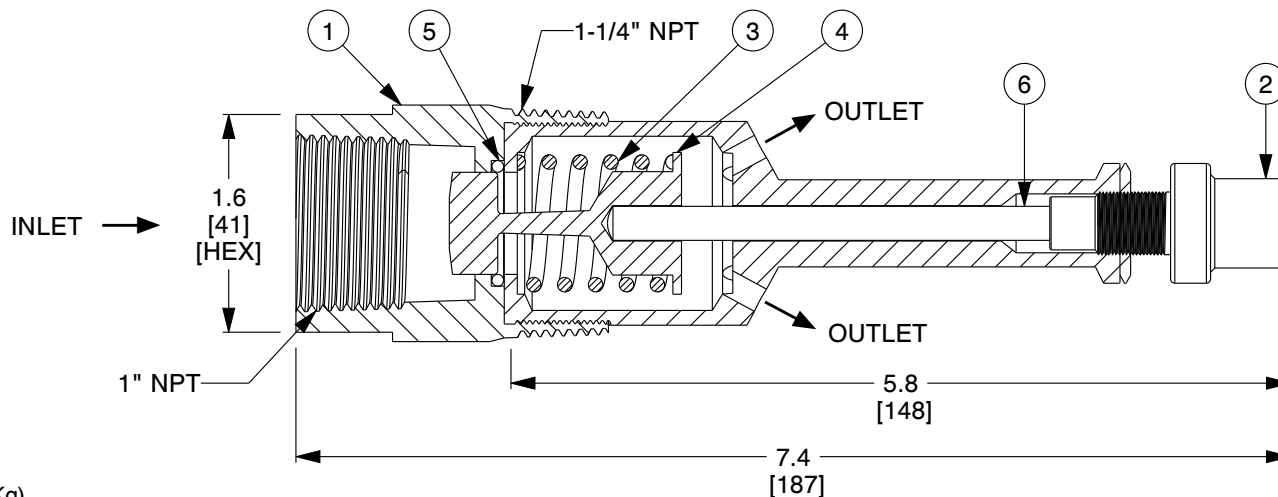
1



ITEM	DESCRIPTION	MATERIAL
1	VALVE BODY	Brass
2	THERMAL ACTUATOR	300 Series SS
3	OPERATING SPRING	300 Series SS
4	RAM-TYPE PLUG	300 Series SS
5	SEAT SEAL	PTFE
6	PISTON	300 Series SS

B

B

**NOTES:**

1. Cv: 4.0
2. WEIGHT: 1.5 Lb (0.7 Kg).
3. MAXIMUM INLET WATER PRESSURE: 125 PSIG (8.6 BAR).
4. MAXIMUM TEMPERATURE: 250°F (121°C).
5. FULL OPEN TEMPERATURES "XXX" AVAILABLE: 120°F, 125°F, 130°F, AND 140°F (48.9°C, 51.7°C, 54.4°C, AND 60°C).
 - A. OTHER TEMPERATURES ARE AVAILABLE, CONSULT OUR ENGINEERS FOR MORE INFORMATION.
 - B. CLOSING TEMPERATURE IS TYPICALLY 10°F BELOW OPENING TEMPERATURE.
6. A WATER HAMMER ARRESTOR MUST BE INSTALLED DIRECTLY BEHIND THE VALVE WATER SUPPLY INLET AS SHOWN IN THE SAMPLE INSTALLATIONS WHEN ANY TYPE OF CHECK VALVE OR BACK FLOW PREVENTER IS USED PER CODE. FAILURE TO DO SO MAY CAUSE PERMANENT DAMAGE TO THE VALVE AND VOID THE WARRANTY.

A

A

COMPONENT DRAIN TEMPERING VALVE



ThermOmegaTech, Inc.
353 Ivyland Road
Warminster, PA 18974-2205, USA
Ph: 215-798-5978

This file and any associated information and specifications are provided for reference and evaluation purposes only, and is subject to change without notice. ThermOmegaTech makes no representations, warranties or guarantees as to the appropriateness, accuracy, completeness, or suitability for any purpose, of the file, information or specifications. You are solely responsible for the use of the file, information or specifications.

This drawing is the property of ThermOmegaTech. It contains confidential, proprietary information that is ThermOmegaTech property. Do not disclose to or duplicate for others except as authorized by ThermOmegaTech.

SCALE

NTS

327-000000-XXX

1" DTV Valve (Brass)

UNIT

INCH [MM]

SHEET

1 of 1

4

3

2

1