

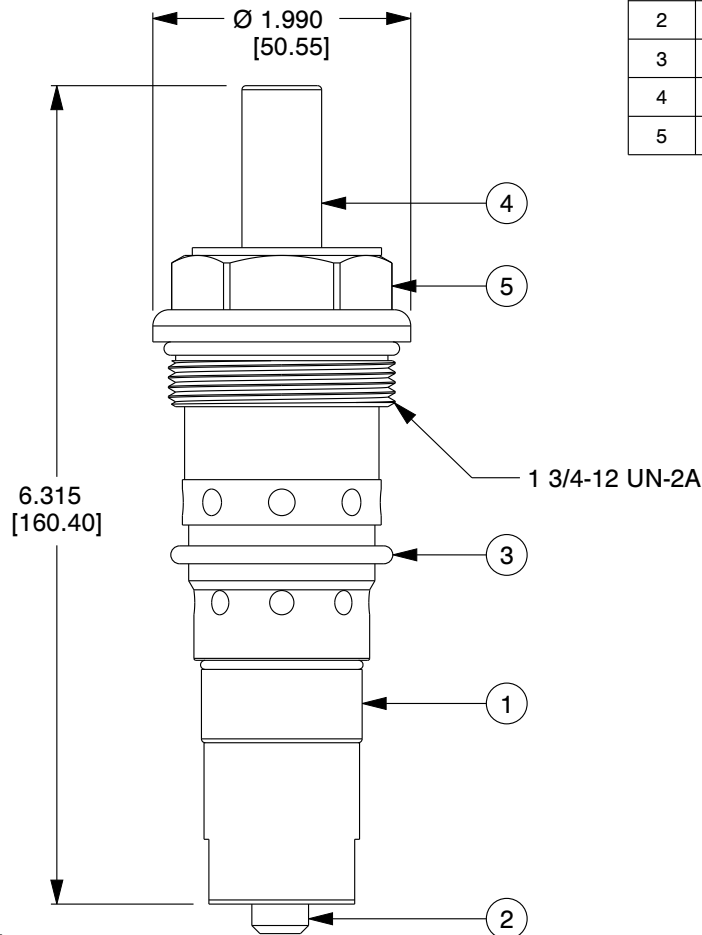
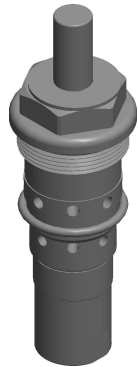
4

3

2

1

ITEM	DESCRIPTION	MATERIAL
1	CARTRIDGE BODY	300 Series SS
2	THERMAL ACTUATOR	300 Series SS
3	O-RING	EPDM
4	TOP COVER	300 Series SS
5	CAP	300 Series SS

**NOTES:**

1. ALL SEALS SHOULD BE COATED WITH A LUBRICANT SUCH AS KRYTOX OR OTHER EPDM COMPATIBLE TYPE.
2. ENSURE THAT THE CAP SEAL AND EXTERNAL VORTEX SEAL ARE PRESENT ON THE NEW CARTRIDGE.
3. REMOVE THE VALVE BODY SEAL VIA USE OF A POINTED TOOL SUCH AS AN O-RING SEAL PICK.
4. REPLACEMENT CARTRIDGE ASSEMBLIES CAN BE PURCHASED FROM THERMOMEGATECH.
5. "XXX" REFERS TO TEMPERATURE 150°F (65.5°C) OR 185°F (85°C).

COMPONENT

STVM CARTRIDGE ASSEMBLY



ThermOmegaTech, Inc.
353 Ivyland Road
Warminster, PA 18974-2205, USA
Ph: 215-798-5978

This file and any associated information and specifications are provided for reference and evaluation purposes only, and is subject to change without notice. ThermOmegaTech makes no representations, warranties or guarantees as to the appropriateness, accuracy, completeness, or suitability for any purpose, of the file, information or specifications.

You are solely responsible for the use of the file, information or specifications.

This drawing is the property of ThermOmegaTech. It contains confidential, proprietary information that is ThermOmegaTech property. Do not disclose to or duplicate for others except as authorized by ThermOmegaTech.

SCALE

NTS

374-012000-XXX

1" STVM CARTRIDGE ASSEMBLY

UNIT

INCH [MM]

SHEET

1 of 1

4

3

2

1