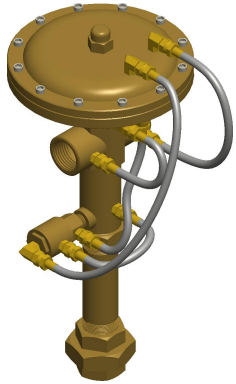


4

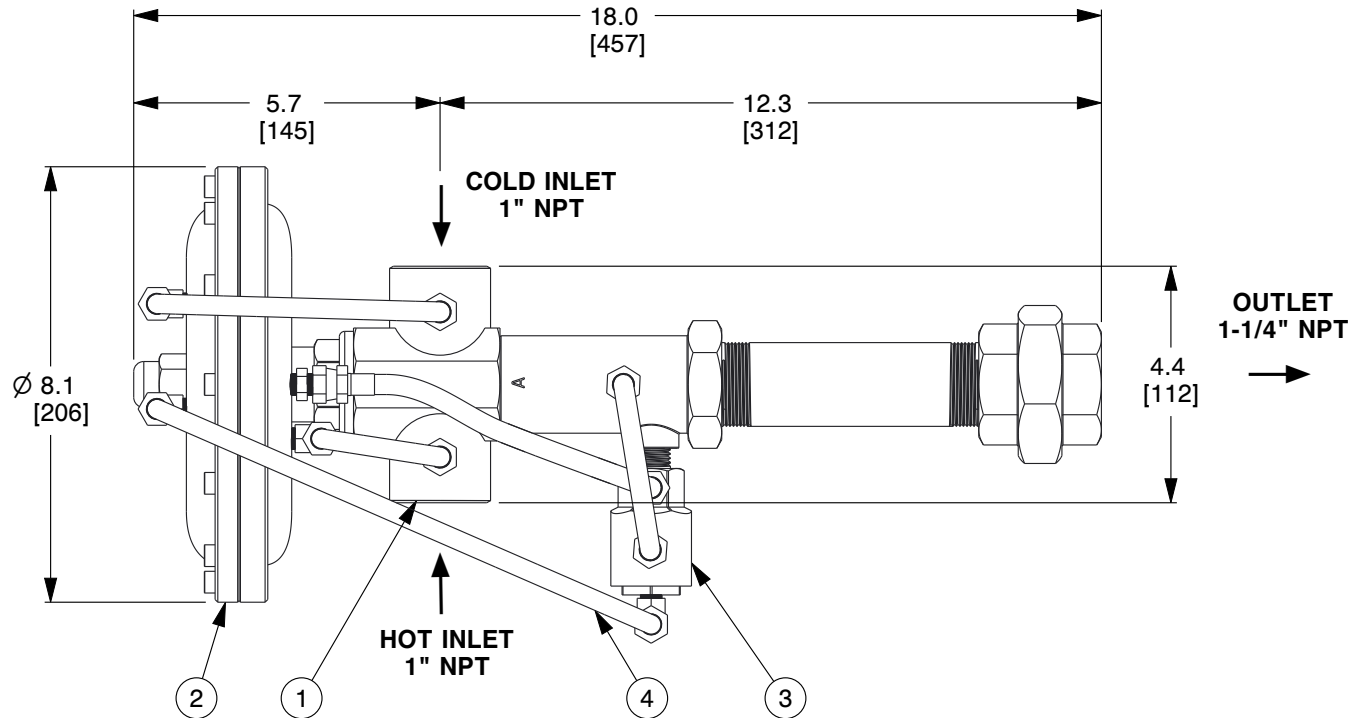
3

2

1



ITEM	DESCRIPTION	MATERIAL
1	WATER MIXING VALVE (V1)	Bronze Casting
2	PRESS. SENS. CONTROLLER	Bronze Casting
3	FINAL SAFETY CONTROL (V4)	Brass
4	FLEXIBLE TUBING	SS Braided PTFE



NOTES:

1. Cv: 10.0.
2. PROVIDES 85°F (29°C) TEPID WATER FROM 3 GPM (11.4 L/MIN) TO 25 GPM (113.7 L/MIN) WITH WATER INLET PRESSURE OF AT LEAST 40 PSIG (2.8 BAR).
3. COMPACT, LIGHTWEIGHT (UNDER 15 LBS/6 KG) DESIGN EASILY SUPPORTED BY PIPING CONNECTIONS.
4. WHERE UNIT IS USED AS A SAFETY SHOWER OR EYEWASH STATION, THE FINAL OUTLET TEMPERATURE SHOULD BE SPECIFIED BY THE FACILITIES MEDICAL SUPERVISOR OR OTHER AUTHORIZED PERSONNEL.
5. ADDITIONAL TEMPERATURES ARE AVAILABLE, CONSULT FACTORY FOR MORE INFORMATION: 70°F, 75°F & 80°F.
6. CONFORMS TO OSHA AND ANSI RECOMMENDATIONS.
7. A #20 MESH STRAINER IS RECOMMENDED FOR USE WITH ALL PORT SIZES.

COMPONENT	HIGH CAPACITY INSTANT TEPID WATER SUPPLY
-----------	------------------------------------------



ThermOmegaTech, Inc.
353 Ivyland Road
Warminster, PA 18974-2205, USA
Ph: 215-798-5978

This file and any associated information and specifications are provided for reference and evaluation purposes only, and is subject to change without notice. ThermOmegaTech makes no representations, warranties or guarantees as to the appropriateness, accuracy, completeness, or suitability for any purpose, of the file, information or specifications. You are solely responsible for the use of the file, information or specifications.

This drawing is the property of ThermOmegaTech. It contains confidential, proprietary information that is ThermOmegaTech property. Do not disclose to or duplicate for others except as authorized by ThermOmegaTech.

SCALE

NTS

387-201000-000

THERM-O-MIX® STATION/WWM-85°F

UNIT

INCH [MM]

SHEET

1 of 1

4

3

2

1