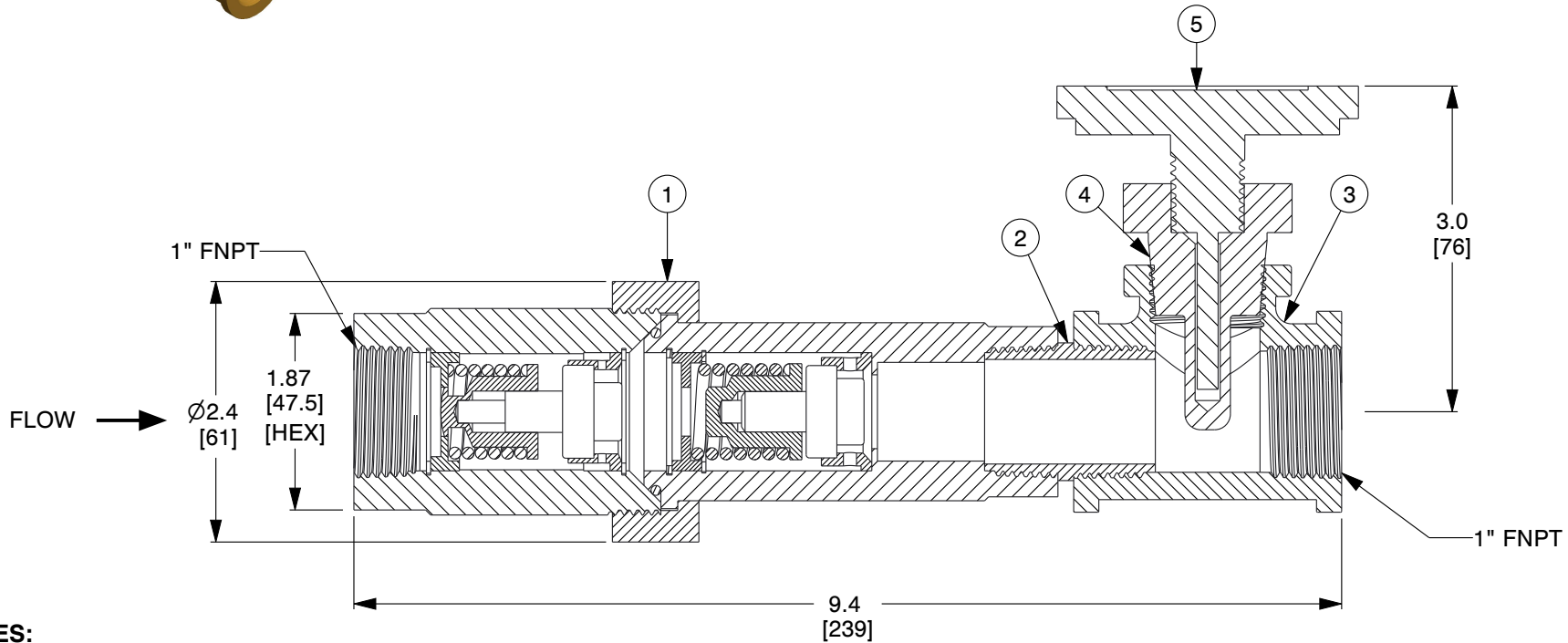


ITEM	PART NUMBER	DESCRIPTION
1	261-40X00X-XXX	1" CIRCUITSOLVER THERMAL DISINFECTION DUAL BALANCING VALVE
2	92-044	1" X CL NIPPLE BRS LF
3	93-174	1" X 1/2" TEE
4	93-094	THERMOWELL
5	94-287	THERMOMETER



NOTES:

1. STANDARD BALANCING Cv: OPEN:3.3, CLOSED: 0.2, DESIGN: 1.57.
2. THERMAL DISINFECTION BALANCING Cv: OPEN: 0.5, CLOSED: 0.2.
3. WEIGHT: 5.3 Lbs (2.4 Kg).
4. MAXIMUM WORKING PRESSURE: 200 PSIG (14 BAR).
5. MAXIMUM WORKING TEMPERATURE: 250°F (121°C).
6. XXX REFERS TO THE DESIRED CLOSING TEMPERATURE FOR STANDARD BALANCING IN °F.
7. ALL COMPONENTS ARE NSF/ANSI 61 AND NSF 372 CERTIFIED FOR USE IN DOMESTIC WATER SYSTEMS.

COMPONENT		CircuitSolver Thermal Disinfection Dual Valve (CSUTD-D)	
CSUTD-D-1-XXX/170-TW		UNIT	
		INCH [MM]	
1" - CSUTD-D WITH THERMOMETER		SHEET	
		1 of 1	

ThermOmegaTech
 ThermOmegaTech, Inc.
 353 Ivyland Road
 Warminster, PA 18974-2205, USA
 Ph: 215-798-5978

This file and any associated information and specifications are provided for reference and evaluation purposes only, and is subject to change without notice. ThermOmegaTech makes no representations, warranties or guarantees as to the appropriateness, accuracy, completeness, or suitability for any purpose, of the file, information or specifications. You are solely responsible for the use of the file, information or specifications.

This drawing is the property of ThermOmegaTech. It contains confidential, proprietary information that is ThermOmegaTech property. Do not disclose to or duplicate for others except as authorized by ThermOmegaTech.

SCALE NTS

4

3

2

1

B

B

A

A

4

3

2

1